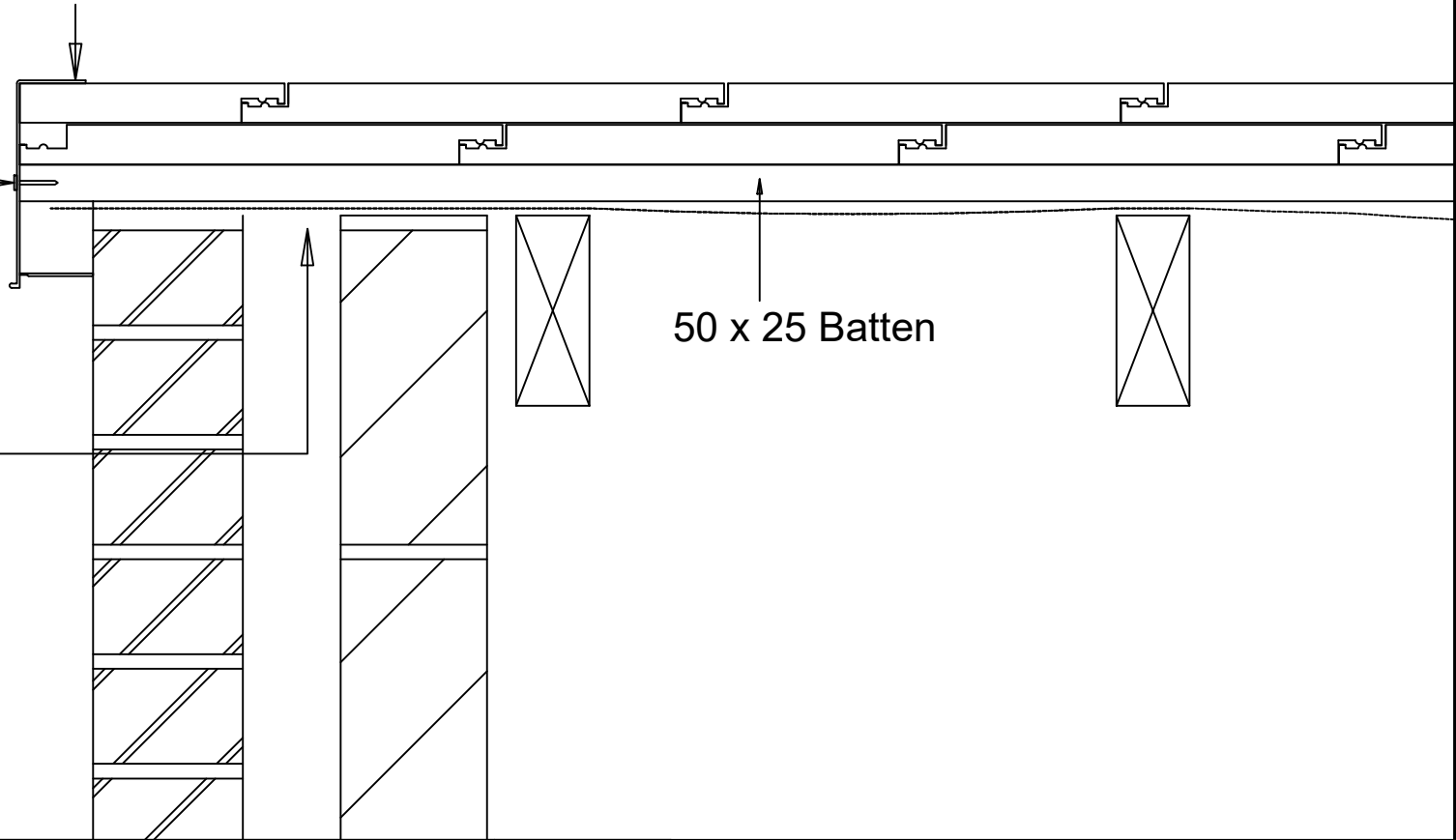


Commercial Range Dry Verge Unit

Russell Dry Verge  
Screw Nail

Underlay Carried  
Across Cavity

50 x 25 Batten

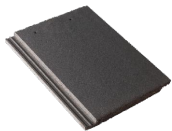


Grampian

GRDV3085

Dry Verge

1:5@A4



Size

418 x 330mm

Weight

5.2kg

Thickness

30mm

Tiles Per Pallet

192

Tiles Per Band

32



T: 01283 517070  
Nicolson Way, Wellington Road  
Burton on Trent  
Staffordshire  
DE14 2AW

[www.russellrooftiles.com](http://www.russellrooftiles.com)