

Continuous Or Single Step Code 4 Lead Flashing

Code 4 Lead Gutter Flashing

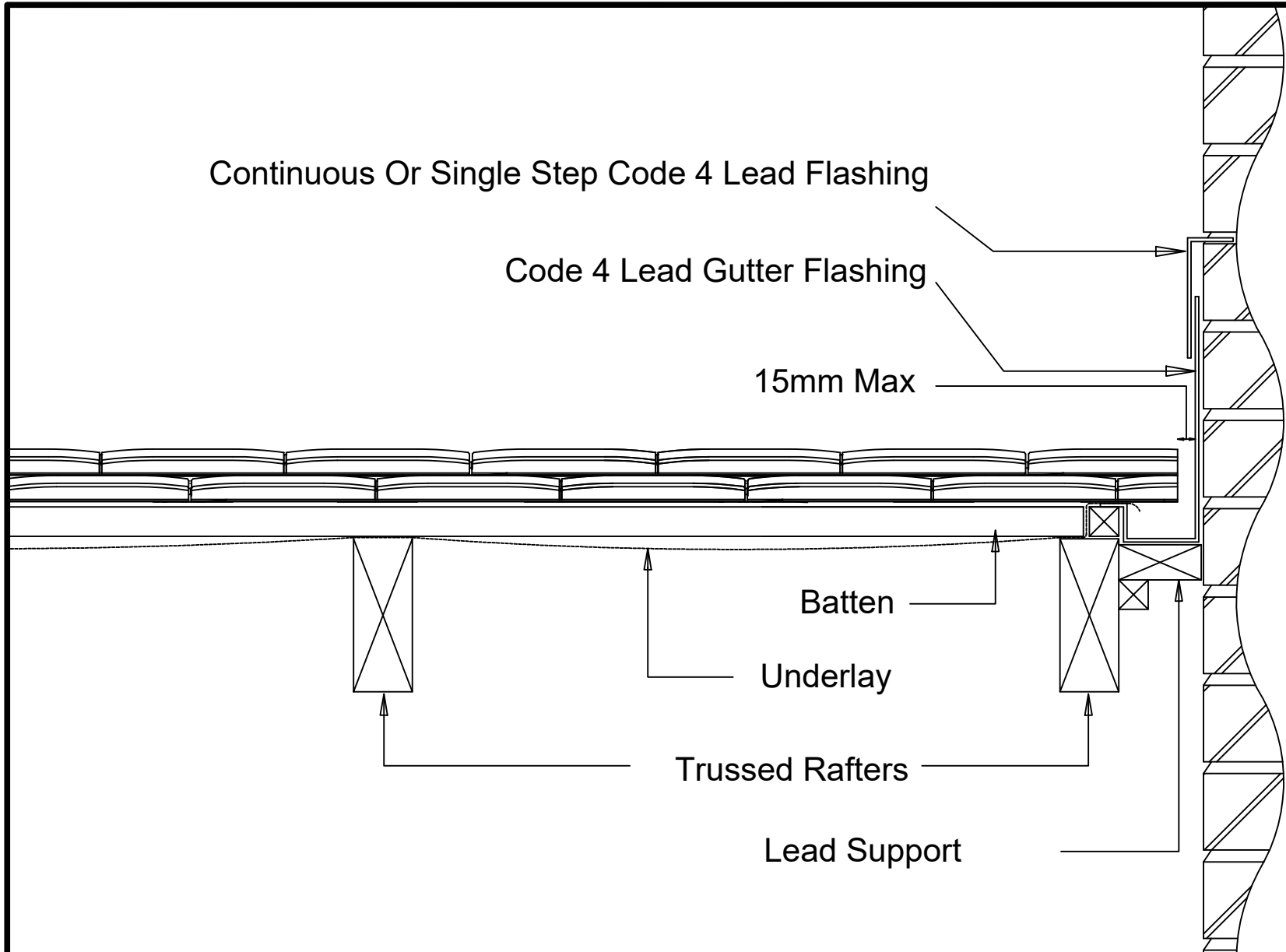
15mm Max

Batten

Underlay

Trussed Rafters

Lead Support



Bute3

B3SA4250

Side Abutment With Secret Gutter

1:5@A4



Size	Weight	Thickness	Tiles Per Pallet	Tiles Per Band
270 x 495mm	4.6kg	14mm	240	4



T: 01283 517070
 Nicolson Way, Wellington Road
 Burton on Trent
 Staffordshire
 DE14 2AW

www.russellrooftiles.com