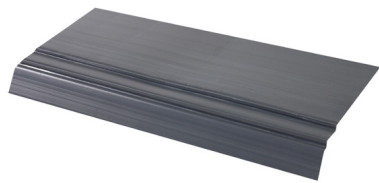


## Eaves Vent System 6m



### Components



Felt Support Tray  
x7



Roll Out Rafter Eave Vent  
6m x 450mm



Over Fascia Ventilator  
(10mm or 25mm) x6

### Step 1



Set the fascia board to the correct height (see Figure 1.)

### Step 2

Connect the **Over Fascia Ventilator** strips together.



## Eaves Vent System 6m



### Step 3



Secure the **Over Fascia Ventilators** to the fascia board using 40 x 2.65mm clout nails (not supplied) for 10mm units or 50 x 2.65mm nails for the 25mm units to ensure a minimum of 15mm penetration into the timber.

Connect further **Over Fascia Ventilators** together along the top of the fascia and fix every 300mm.

### Step 4

Roll out the **Rafter Eave Vent** over the rafters in the correct position to provide a clear ventilation path above the roof insulation with a nominal drape between each rafter. Fix using corrosion resistant clout nails (not supplied).



### Step 5



Lay the **Felt Support Tray** over the **Over Fascia Ventilators**. Align back indent of the tray with the the top of the **Over Fascia Ventilators** and fix using corrosion resistant 20mm clout head nails (not supplied).

### Eaves Vent System 6m

#### Step 6

Additional **Felt Support Trays** should overlap by a minimum of 100mm.



#### Step 7

Lay the roofing underlay over the **Felt Support Tray** with the bottom edge in line with the fascia board, **NOT** draped in the gutter.



#### Step 8

If using profiled tiles then a Bird Comb Filler (available separately) is required. Fix with nails as specified in step 3.



## Eaves Vent System 6m



**Figure 1.**

**Fascia Board Height when using Russell 10mm Over Fascia Ventilator**

Rafter Pitch	Bute3®	Cheviot	D Roman	Galloway	Grampian	Highland	Lothian	Pennine	Moray	Polden
17.5				31mm	32mm	32mm	31mm		31mm	31mm
20				32mm	34mm	34mm	32mm		32mm	32mm
22.5	22mm		36mm	33mm	36mm	36mm	33mm	35mm	33mm	33mm
25	21mm	37mm	40mm	35mm	40mm	40mm	35mm	37mm	35mm	35mm
27.5	21mm	38mm	42mm	37mm	42mm	42mm	37mm	38mm	37mm	37mm
30	21mm	40mm	44mm	39mm	44mm	44mm	39mm	40mm	39mm	39mm
32.5	21mm	42mm	46mm	41mm	46mm	46mm	41mm	42mm	41mm	41mm
35	20mm	45mm	48mm	43mm	48mm	48mm	43mm	45mm	43mm	43mm
37.5	20mm	50mm	53mm	47mm	53mm	53mm	47mm	50mm	47mm	47mm
40	20mm	55mm	58mm	51mm	56mm	56mm	51mm	55mm	51mm	51mm
45	20mm	62mm	63mm	60mm	66mm	66mm	60mm	62mm	60mm	60mm
50	20mm	66mm	69mm	65mm	69mm	69mm	65mm	66mm	65mm	65mm
55	21mm	70mm	72mm	68mm	72mm	72mm	68mm	70mm	68mm	68mm
60	22mm	73mm	75mm	71mm	75mm	75mm	71mm	73mm	71mm	71mm

**Fascia Board Height when using Russell 25mm Over Fascia Ventilator**

Rafter Pitch	Bute3®	Cheviot	D/Roman	Galloway	Grampian	Highland	Lothian	Pennine	Moray	Polden
17.5				14mm	15mm	15mm	14mm		14mm	14mm
20				15mm	17mm	17mm	15mm		15mm	15mm
22.5	7mm		19mm	16mm	19mm	19mm	16mm	18mm	16mm	16mm
25	7mm	20mm	23mm	18mm	23mm	23mm	18mm	20mm	18mm	18mm
27.5	6mm	21mm	25mm	20mm	25mm	25mm	20mm	21mm	20mm	20mm
30	6mm	23mm	27mm	22mm	27mm	27mm	22mm	23mm	22mm	22mm
32.5	5mm	25mm	29mm	24mm	29mm	29mm	24mm	25mm	24mm	24mm
35	5mm	28mm	31mm	26mm	31mm	31mm	26mm	28mm	26mm	26mm
37.5	4mm	33mm	36mm	30mm	36mm	36mm	30mm	33mm	30mm	30mm
40	4mm	38mm	41mm	34mm	39mm	39mm	34mm	38mm	34mm	34mm
45	2mm	45mm	46mm	43mm	49mm	49mm	43mm	45mm	43mm	43mm
50	0mm	49mm	52mm	48mm	52mm	52mm	48mm	49mm	48mm	48mm
55	0mm	53mm	55mm	51mm	55mm	55mm	51mm	53mm	51mm	51mm
60	3m	56mm	58mm	54mm	58mm	58mm	54mm	56mm	54mm	54mm

**Fascia Board Height without Over Fascia Ventilator**

Rafter Pitch	Bute3®	Cheviot	D/Roman	Galloway	Grampian	Highland	Lothian	Pennine	Moray	Polden
17.5				31mm	32mm	32mm	31mm		31mm	31mm
20				32mm	34mm	34mm	32mm		32mm	32mm
22.5	40mm	52mm	36mm	33mm	36mm	36mm	33mm	35mm	33mm	33mm
25	40mm	54mm	40mm	35mm	40mm	40mm	35mm	37mm	35mm	35mm
27.5	40mm	55mm	42mm	37mm	42mm	42mm	37mm	38mm	37mm	37mm
30	40mm	57mm	44mm	39mm	44mm	44mm	39mm	40mm	39mm	39mm
32.5	40mm	59mm	46mm	41mm	46mm	46mm	41mm	42mm	41mm	41mm
35	40mm	62mm	48mm	43mm	48mm	48mm	43mm	45mm	43mm	43mm
37.5	41mm	67mm	53mm	47mm	53mm	53mm	47mm	50mm	47mm	47mm
40	41mm	72mm	58mm	51mm	56mm	56mm	51mm	55mm	51mm	51mm
45	42mm	79mm	63mm	60mm	66mm	66mm	60mm	62mm	60mm	60mm
50	43mm	83mm	69mm	65mm	69mm	69mm	65mm	66mm	65mm	65mm
55	46mm	87mm	72mm	68mm	72mm	72mm	68mm	70mm	68mm	68mm
60	49mm	90mm	75mm	71mm	75mm	75mm	71mm	73mm	71mm	71mm

## Eaves Vent System 6m

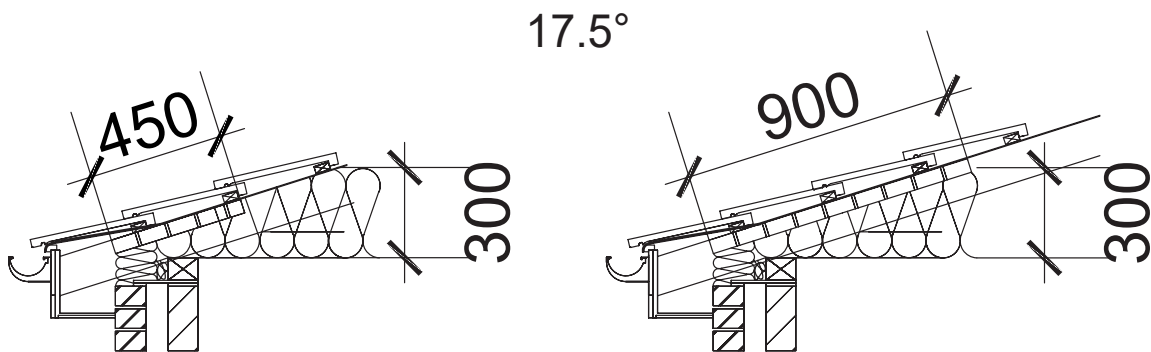


### Insulation Depth Note

- On low pitched roofs or where there is deep insulation, 2No. Roll Out Eave Rafter Vents may be necessary. Please use the following table for guidance purposes only:

For an insulation depth of 300mm:

Rafter Pitch	Roll Out Eave Rafter Vent Coverage			
	450mm	600mm	900mm	1200mm
17.5°	X	X	✓	✓
20°	X	X	✓	✓
22.5°	X	✓	✓	✓
25°	X	✓	✓	✓
27.5°	✓	✓	✓	✓
30°	✓	✓	✓	✓
35°	✓	✓	✓	✓
40°	✓	✓	✓	✓
45°	✓	✓	✓	✓
50°	✓	✓	✓	✓



### Notes

- On low pitched roofs or where there is deep insulation, x2 Eave Rafter Vents may be required
- For non-timber fascia materials please contact Russell Technical
- When used with rigid sarking boards please contact Russell Technical
- For pitches 20° and below please contact Russell Technical
- Fascia Board Heights are based on using a Russell Over Fascia Ventilator and using a 20mm thickness fascia board with a 50mm eaves overhang